



**INSTITUTO DE CIENCIAS  
DE LA CONSTRUCCIÓN  
EDUARDO TORROJA**

C/ Serrano Galvache n. 4 28033 Madrid (Spain)  
Tel.: (34) 91 302 04 40 Fax: (34) 91 302 07 00  
[direccion.ietcc@csic.es](mailto:direccion.ietcc@csic.es) <https://dit.ietcc.csic.es>

## European Technical Assessment

## ETA 22/0912 of 10/01/2023

English translation prepared by IETcc. Original version in Spanish language

### General Part

**Technical Assessment Body issuing the ETA designated according to Art. 29 of Regulation (EU) 305/2011:**

Instituto de Ciencias de la Construcción Eduardo Torroja (IETcc)

**Trade name of the construction product:**

**EJOT Drop in anchor J+ / JS+ / JSR+ / JE+ / JSE+**

**Product family to which the construction product belongs:**

Deformation controlled anchor made of galvanized steel or stainless steel of sizes M6, M8, M10, M12, M16 and M20 for use in concrete for redundant non-structural systems

**Manufacturer:**

**EJOT SE & Co. KG**  
Market Unit Construction  
In der Stockwiese 35  
57334 Bad Laasphe  
Germany  
Website: [www.ejot.de](http://www.ejot.de)

**Manufacturing plant:**

EJOT plant 58

**This European Technical Assessment contains:**

15 pages including 3 annexes which form an integral part of this assessment.

**This European Technical Assessment is issued in accordance with regulation (EU) No 305/2011, on the basis of:**

European Assessment Document EAD 330747-00-0601, "Fasteners for use in concrete for redundant non-structural systems", ed. May 2018.

*English translation prepared by IETcc*

This European Technical Assessment is issued by the Technical Assessment Body in its official language. Translations of this European Technical Assessment in other languages shall fully correspond to the original issued document and should be identified as such.

This European Technical Assessment may be withdrawn by the issuing Technical Assessment Body, in particular pursuant to information by the Commission according to article 25 (3) of Regulation (EU) No 305/2011.

English translation prepared by IETcc

## SPECIFIC PART

### 1. Technical description of the product

The EJOT Drop in anchor J+ / JS+ / JSR+, in the range of M6 to M20, is an anchor made of galvanised steel. The EJOT Drop in anchor JE+ / JSE+, in the range of M6 to M20, is an anchor made of stainless steel. They are placed into a drilled hole and anchored by deformation-controlled expansion. The anchorage is characterised by friction between the sleeve and concrete.

Product and installation descriptions are given in annexes A1 and A2.

### 2. Specification of the intended use in accordance with the applicable European Assessment Document

The performances given in section 3 are only valid if the anchor is used in compliance with the specifications and conditions given in annex B.

The verifications and assessment methods on which this European Technical Assessment is based lead to the assumption of a working life of the anchor of at least 50 years. The indications given on the working life cannot be interpreted as a guarantee given by the producer, but are to be regarded only as a mean to choosing the right products in relation to the expected economically reasonable working life of the works.

### 3. Performance of the product and references to the methods used for its assessment

#### 3.1 Safety in case of fire (BWR 2)

Essential characteristic	Performance
Reaction to fire	Anchorage satisfies requirements for class A1 according to EN 13501-1
Resistance to fire	See annex C7

#### 3.2 Safety in use (BWR 4)

Essential characteristic	Performance
Essential characteristics under static or quasi static loading	See annexes C3 to C6

### 4. Assessment and Verification of Constancy of Performances (hereinafter AVCP) system applied, with reference to its legal base

The applicable European legal act for the system of Assessment and Verification of Constancy of Performances (see annex V to Regulation (EU) No 305/2011) is 97/161/EC.

The system to be applied is 2+.

English translation prepared by IETcc

**5. Technical details necessary for the implementation of the AVCP system, as provided for in the applicable European Assessment Document**

The technical details necessary for the implementation of the AVCP system are laid down in the quality plan deposited at Instituto de Ciencias de la Construcción Eduardo Torroja.



Instituto de Ciencias de la Construcción Eduardo Torroja  
CONSEJO SUPERIOR DE INVESTIGACIONES CIENTÍFICAS

C/ Serrano Galvache n.º 4. 28033 Madrid.  
Tel: (+34) 91 302 04 40 Fax. (+34) 91 302 07 00

<https://dit.ietcc.csic.es>



On behalf of the Instituto de Ciencias de la Construcción Eduardo Torroja  
Madrid, 10<sup>th</sup> of January 2023

Director IETcc - CSIC



**Product**



Drop in anchor J+



Drop in anchor JS+



Drop in anchor JSR+



Drop in anchor JE+



Drop in anchor JSE+

Identification on sleeve: EJOT logo + “J+ (JS+ / JSR+ / JE+ / JSE+)” + Metric;

**Table A1: Dimensions**

Anchor dimensions	M6	M8	M10	M12	M12D	M16	M20	
<b>Drop in anchor J+ / JS+</b>								
ØD: External diameter [mm]	8	10	12	15	16	20	25	
Ød: internal diameter [mm]	M6	M8	M10	M12	M12	M16	M20	
L: total length [mm]	25	30	40	50	50	65	80	
<b>Drop in anchor JSR+</b>								
ØD: External diameter [mm]	--	10	12	15	--	--	--	
Ød: internal diameter [mm]	--	M8	M10	M12	--	--	--	
L: total length [mm]	--	25	25	25	--	--	--	
<b>Drop in anchor JE+ / JSE+</b>								
ØD: External diameter [mm]	8	10	12	15	--	20	25	
Ød: internal diameter [mm]	M6	M8	M10	M12	--	M16	M20	
L: total length [mm]	25	30	40	50	--	65	80	

**Table A2: Materials**

Item	Designation	Material for Drop in anchor J+ / JS+ / JSR+	Material for Drop in anchor JE+ / JSE+
1	Sleeve	Carbon steel, zinc plated $\geq 5 \mu\text{m}$ ISO 4042 Zn5/An/T0	Stainless steel, grade A4
2	Cone	Carbon steel, zinc plated $\geq 5 \mu\text{m}$ ISO 4042 Zn5/An/T0	Stainless steel, grade A4
3	Retention disc	Plastic	Plastic

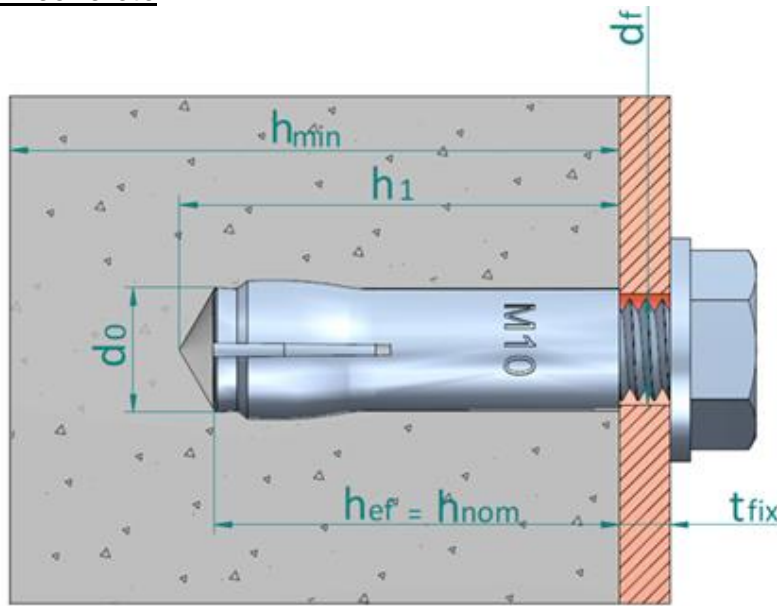
Drop in anchor J+ / JS+ / JSR+ / JE+ / JSE+

Product description

Product and materials

Annex A1

**Installed condition in concrete**



- $h_{ef}$ : Effective anchorage depth
- $h_1$ : Depth of drilled hole
- $h_{nom}$ : Overall anchor embedment depth in the concrete
- $h_{min}$ : Minimum thickness of concrete member
- $t_{fix}$ : Thickness of fixture
- $d_0$ : Nominal diameter of drill bit
- $d_f$ : Fixture clearance hole diameter

**Setting tool**



Setting tool can be assembled with a plastic handle for hand protection purposes

**Table A3: Setting tool dimensions**

Setting tool dimensions		M6	M8	M10	M12	M16	M20
<b>Drop in anchor J+ / JS+ / JE+ / JSE+</b>							
Ø D <sub>1</sub>	[mm]	8.0	10.0	12.0	15.0	20.0	25.0
Ø D <sub>2</sub>	[mm]	4.9	6.4	8.2	10.0	13.5	17.0
L <sub>s</sub>	[mm]	15.0	18.0	21.0	30.0	36.0	48.0
<b>Drop in anchor JSR+</b>							
Ø D <sub>1</sub>	[mm]	--	10.0	12.0	15.0	--	--
Ø D <sub>2</sub>	[mm]	--	6,4	8,2	10,0	--	--
L <sub>s</sub>	[mm]	--	15.0	16.0	10.4	--	--

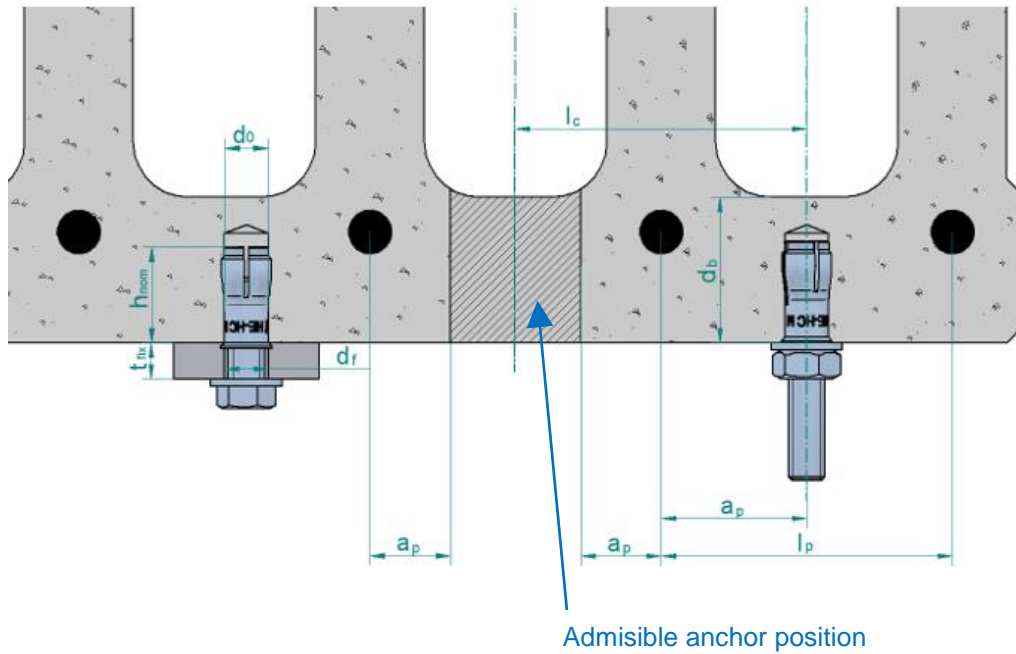
**Drop in anchor J+ / JS+ / JSR+ / JE+ / JSE+**

**Product description**

Installed condition in concrete and setting tool

**Annex A2**

**Installed condition in precast prestressed hollow core concrete slabs**



- d<sub>0</sub>: Nominal diameter of drill bit
- d<sub>f</sub>: Fixture clearance hole diameter
- d<sub>b</sub>: Bottom flange thickness
- a<sub>p</sub>: Distance between anchor position and prestressing steel ≥ 50 mm
- l<sub>c</sub>: Core distance ≥ 100 mm
- l<sub>p</sub>: Prestressing steel distance ≥ 100 mm
- t<sub>fix</sub>: Fixture thickness
- c: Edge distance

**Drop in anchor JSR+**

**Product description**

Installed condition in precast prestressed hollow core concrete slabs

**Annex A3**

### **Specifications of intended use**

#### **Anchorage subjected to:**

- Static or quasi static loads for redundant non-structural systems.
- Use for anchorages with requirements related to resistance of fire (not for using in prestressed hollow core slabs).
- The anchor may only be used if in the design and installation specifications for the fixture the excessive slip or failure of one anchor will not result in a significant violation of the requirements on the fixture in the serviceability and ultimate state.

#### **Base materials:**

- Reinforced or unreinforced normal weight concrete without fibres according to EN 206-1:2013+A1:2016.
- Strength classes C12/15 to C50/60 acc. to EN 206-1:2013+A1:2016: Drop in anchor J+ / JS+.
- Strength classes C20/25 to C50/60 according to EN 206-1:2013+A1:2016: Drop in anchor JSR+ / JE+ / JSE+.
- Cracked or uncracked concrete.
- Precast, prestressed hollow core concrete slabs, strength C30/37 to C50/60 according to EN 206:2013+A1:2016: Drop in anchor JSR+.

#### **Use conditions (environmental conditions):**

- Drop in anchor J+ / JS+ / JSR+: anchorages subjected to dry internal conditions.
- Drop in anchor JE+ / JSE+: anchorages subjected to dry internal conditions, to external atmospheric exposure (including industrial and marine environment) or to permanent internal damp conditions if no particular aggressive conditions exist. Such particular aggressive conditions are e.g. permanent, alternating immersion in seawater or the splash zone of seawater, chloride atmosphere of indoor swimming pools or atmosphere with extreme chemical pollution (e.g. in desulphurization plants or road tunnels where de-icing materials are used). Atmospheres under Corrosion Resistance Class CRC III according to EN 1993-1-4:2006+A1:2015 annex A.

#### **Design:**

- Anchorages are designed under the responsibility of an engineer experienced in anchorages and concrete.
- Verifiable calculation rules and drawings are prepared taking into account of the loads to be anchored. The position of the anchor is indicated on the design drawings (e.g. position of the anchor relative to reinforcement or to supports, etc.).
- Anchorages under static or quasi-static actions are designed for design method B in accordance with EN 1992-4:2018
- Anchorages under fire exposure are designed in accordance to EN 1992-4:2018. It must be ensured that local spalling of the concrete cover does not occur.

#### **Installation:**

- Hole drilling by rotary plus hammer mode.
- Anchor installation carried out by appropriately qualified personal and under the supervision of the person responsible for technical matters of the site.
- In case of aborted hole: new drilling at a minimum distance away of twice the depth of aborted hole or smaller distance if the aborted hole is filled with high strength mortar and if under shear or oblique tension load it is not the direction of the load application.
- Drop in anchor J+ / JS+ / JSR+: the bolt or threaded rod to be used shall be property class 4.6, 5.6, 5.8, 6.8 or 8.8 according to ISO 898-1.
- Drop in anchor JE+ / JSE+: the bolt or threaded rod to be used shall be property class A4-50, A4-70 or A4-80 according to EN 3506-1:2009
- The length of the bolt shall be determined as:
  - Minimum bolt length =  $t_{fix} + l_{s,min}$
  - Maximum bolt length =  $t_{fix} + l_{s,max}$

**Drop in anchor J+ / JS+ / JSR+ / JE+ / JSE+**

**Intended use**

**Specifications**

**Annex B1**



English translation prepared by IETcc

**Table C1: Installation parameters in concrete for Drop in anchor J+ / JS+ / JSR+ / JE+ / JSE+**

Installation parameters			Performances						
			M6	M8	M10	M12	M12D	M16	M20
d <sub>0</sub>	Nominal diameter of drill bit:	[mm]	8	10	12	15	16	20	25
D	Thread diameter:	[mm]	M6	M8	M10	M12	M12	M16	M20
d <sub>f</sub>	Fixture clearance hole diameter ≤	[mm]	7	9	12	14	14	18	22
T <sub>inst</sub>	Maximum installation torque:	[Nm]	4	11	17	38	38	60	100
<b>Drop in anchor J+ / JS+</b>			<b>M6 x 25 φ8</b>	<b>M8 x 30 φ10</b>	<b>M10 x 40 φ12</b>	<b>M12 x 50 φ15</b>	<b>M12 x 50 φ16</b>	<b>M16 x 65 φ20</b>	<b>M20 x 80 φ25</b>
ℓ <sub>s,min</sub>	Minimum screwing depth:	[mm]	6	8	10	12	12	16	20
ℓ <sub>s,max</sub>	Maximum screwing depth:	[mm]	10	13	17	21	21	27	34
h <sub>1</sub>	Depth of drilled hole:	[mm]	27	33	43	54	54	70	86
h <sub>nom</sub>	Overall anchor embedment depth:	[mm]	25	30	40	50	50	65	80
h <sub>ef</sub>	Effective anchorage depth:	[mm]	25	30	40	50	50	65	80
h <sub>min</sub>	Minimum thickness of concrete member:	[mm]	100	100	100	100	100	130	160
s <sub>min</sub>	Minimum allowable spacing:	[mm]	60	60	80	100	100	130	160
c <sub>min</sub>	Minimum allowable distance:	[mm]	105	105	140	175	130	230	280
<b>Drop in anchor JSR+</b>			-	<b>M8 x 25 φ10</b>	<b>M10 x 25 φ12</b>	<b>M12 x 25 φ15</b>	-	-	-
ℓ <sub>s,min</sub>	Minimum screwing depth:	[mm]	--	7	8	10	--	--	--
ℓ <sub>s,max</sub>	Maximum screwing depth:	[mm]	--	12	13	13	--	--	--
h <sub>1</sub>	Depth of drilled hole:	[mm]	--	28	28	29	--	--	--
h <sub>nom</sub>	Overall anchor embedment depth:	[mm]	--	25	25	25	--	--	--
h <sub>ef</sub>	Effective anchorage depth:	[mm]	--	25	25	25	--	--	--
h <sub>min</sub>	Minimum thickness of concrete member:	[mm]	--	80	80	80	--	--	--
s <sub>min</sub>	Minimum allowable spacing:	[mm]	--	75	75	75	--	--	--
c <sub>min</sub>	Minimum allowable distance:	[mm]	--	60	60	60	--	--	--
<b>Drop in anchor JE+ / JSE+</b>			<b>M6 x 25 φ8</b>	<b>M8 x 30 φ10</b>	<b>M10 x 40 φ12</b>	<b>M12 x 50 φ15</b>	---	<b>16 x 65 φ20</b>	<b>M20 x 80 φ25</b>
ℓ <sub>s,min</sub>	Minimum screwing depth:	[mm]	6	8	10	12	--	16	20
ℓ <sub>s,max</sub>	Maximum screwing depth:	[mm]	10	13	17	21	--	27	34
h <sub>1</sub>	Depth of drilled hole:	[mm]	27	33	43	54	--	70	86
h <sub>nom</sub>	Overall anchor embedment depth:	[mm]	25	30	40	50	--	65	80
h <sub>ef</sub>	Effective anchorage depth:	[mm]	25	30	40	50	--	65	80
h <sub>min</sub>	Minimum thickness of concrete member:	[mm]	80	80	80	100	--	130	160
s <sub>min</sub>	Minimum allowable spacing:	[mm]	60	60	100	100	--	130	160
c <sub>min</sub>	Minimum allowable distance:	[mm]	65	80	100	130	--	175	210

**Drop in anchor J+ / JS+ / JSR+ / JE+ / JSE+**

**Performances**

Installation parameters in concrete

**Annex C1**

English translation prepared by IETcc

**Table C2: Installation parameters in prestressed hollow core concrete slabs for Drop in anchor JSR+**

Installation parameters in prestressed hollow core concrete slabs			Performances						
			·	M8 x 25 φ10	M10 x 25 φ12	M12 x 25 φ15	·	·	·
Drop in anchor JSR+			·				·	·	·
$l_{s,min}$	Minimum screwing depth:	[mm]	--	7	8	10	--	--	--
$l_{s,max}$	Maximum screwing depth:	[mm]	--	12	13	13	--	--	--
$h_1$	Depth of drilled hole:	[mm]	--	28	28	29	--	--	--
$h_{nom}$	Overall anchor embedment depth:	[mm]	--	25	25	25	--	--	--
$h_{ef}$	Effective anchorage depth:	[mm]	--	25	25	25	--	--	--
$d_b$	Minimum bottom flange thickness	[mm]	--	35	35	35	--	--	--
$s_{min}$	Minimum allowable spacing:	[mm]	--	200	200	200	--	--	--
$c_{min}$	Minimum allowable distance:	[mm]	--	150	150	150	--	--	--

Drop in anchor JSR+

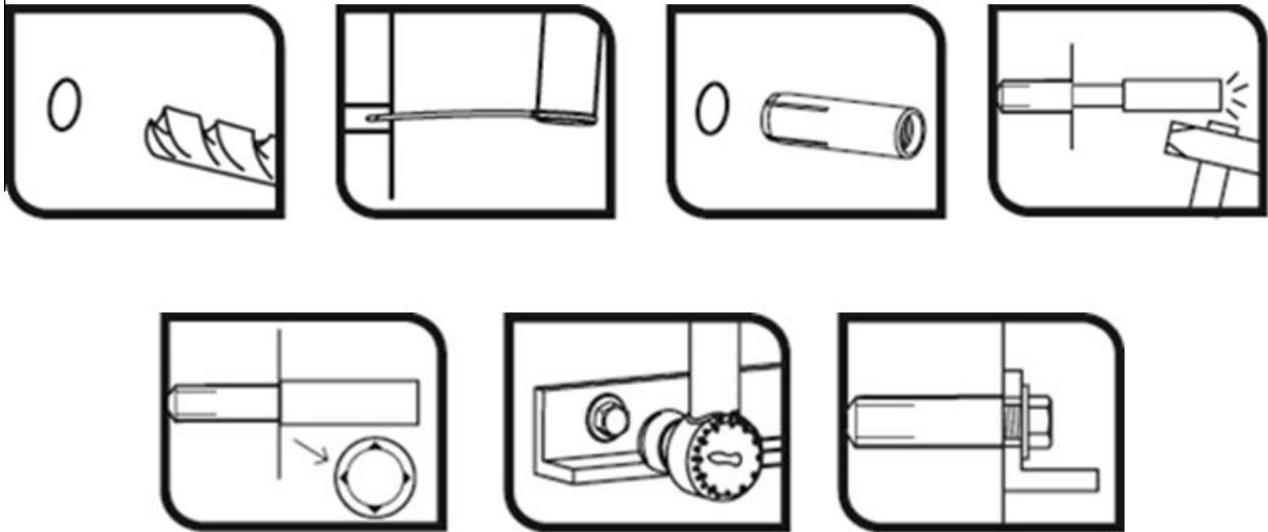
Performances

Installation parameters in prestressed hollow core concrete slabs

Annex C2

English translation prepared by IETcc

### Installation process



Drop in anchor J+ / JS+ / JSR+ / JE+ / JSE+

Performances

Installation procedure

Annex C3

English translation prepared by IETcc

**Table C3: Essential characteristics in concrete to loads of design method B according to EN 1992-4 for Drop in anchor J+ / JS+ / JSR+**

Essential characteristics of resistance to loads of design method B			Performances						
			M6	M8	M10	M12	M12D	M16	M20
<b>Any load direction</b>									
<b>Drop in anchor J+ / JS+</b>									
$F_{Rk}^0$	Characteristic resistance in C12/15 concrete:	[kN]	1.5	3.0	4.0	6.0	--	9.0	16.0
$F_{Rk}^0$	Characteristic resistance in C20/25 to C50/60 concrete:	[kN]	2.0	3.0	5.0	7.5	6.0	12.0	20.0
$\gamma_{ins}$	Installation safety factor:	[-]	1.2	1.2	1.4	1.4	1.4	1.4	1.4
$S_{cr}$	Critical spacing:	[mm]	75	90	120	150	200	195	240
$C_{cr}$	Critical edge distance:	[mm]	40	45	60	75	150	100	120
<b>Drop in anchor JSR+</b>									
$F_{Rk}^0$	Characteristic resistance in C20/25 to C50/60 concrete:	[kN]	--	2.5	4.0	4.0	--	--	--
$\gamma_{ins}$	Installation safety factor:	[-]	--	1.2	1.2	1.2	--	--	--
$S_{cr}$	Critical spacing:	[mm]	--	120	120	120	--	--	--
$C_{cr}$	Critical edge distance:	[mm]	--	60	60	60	--	--	--
<b>Shear loads: steel failure with lever arm</b>									
$M_{Rk,s}^0$	Characteristic bending moment, steel class 4.6	[Nm]	6.1	15.0	29.9	52.4	52.4	133.3	259.8
$\gamma_{Ms}^1$	Partial safety factor:	[-]	1.67						
$M_{Rk,s}^0$	Characteristic bending moment, steel class 4.8	[Nm]	6.1	15.0	29.9	52.4	52.4	133.3	259.8
$\gamma_{Ms}^1$	Partial safety factor:	[-]	1.25						
$M_{Rk,s}^0$	Characteristic bending moment, steel class 5.6	[Nm]	7.6	18.8	37.4	65.5	65.5	166.6	324.8
$\gamma_{Ms}^1$	Partial safety factor:	[-]	1.67						
$M_{Rk,s}^0$	Characteristic bending moment, steel class 5.8	[Nm]	7.6	18.8	37.4	65.5	65.5	166.6	324.8
$\gamma_{Ms}^1$	Partial safety factor:	[-]	1.25						
$M_{Rk,s}^0$	Characteristic bending moment, steel class 6.8	[Nm]	9.2	22.5	44.9	78.7	78.7	199.9	389.7
$\gamma_{Ms}^1$	Partial safety factor:	[-]	1.25						
$M_{Rk,s}^0$	Characteristic bending moment, steel class 8.8	[Nm]	12.2	30.0	59.9	104.9	104.9	266.6	519.7
$\gamma_{Ms}^1$	Partial safety factor:	[-]	1.25						

1) In absence of other national regulations

<b>Drop in anchor J+ / JS+ / JSR+</b>	<b>Annex C4</b>
<b>Performances</b>	
Essential characteristics in concrete	

English translation prepared by IETcc

**Table C4: Essential characteristics in concrete to loads of design method B according to EN 1992-4 for Drop in anchor JE+ / JSE+**

Essential characteristic of resistance to loads of design method B			Performances					
			M6	M8	M10	M12	M16	M20
<b>All load direction</b>								
$F_{Rk}^0$	Characteristic resistance in C20/25 to C50/60 concrete:	[kN]	2.5	3.5	3.5	6.5	12.5	16.5
$\gamma_{ins}$	Installation safety factor:	[-]	1.4					
$S_{cr}$	Critical spacing:	[mm]	200	200	200	200	260	320
$C_{cr}$	Critical edge distance:	[mm]	150	150	150	150	195	240
<b>Shear loads: steel failure with lever arm</b>								
$M_{Rk,s}^0$	Characteristic bending moment, steel class A4-50	[Nm]	7.6	18.8	37.4	65.6	166.6	324.8
$\gamma_{Ms}^{1)}$	Partial safety factor:	[-]	2.38					
$M_{Rk,s}^0$	Characteristic bending moment, steel class A4-70	[Nm]	10.6	6.3	52.4	91.8	233.1	454.7
$\gamma_{Ms}^{1)}$	Partial safety factor:	[-]	1.56					
$M_{Rk,s}^0$	Characteristic bending moment, steel class A4-80	[Nm]	12.2	30.0	59.9	104.9	266.6	519.7
$\gamma_{Ms}^{1)}$	Partial safety factor:	[-]	1.34					

1) In absence of other national regulations

<b>Drop in anchor JE+ / JSE+</b>	<b>Annex C5</b>
<b>Performances</b>	
Essential characteristic in concrete	

English translation prepared by IETcc

**Table C5: Essential characteristics in precast prestressed hollow core slabs to loads of design method B according to EN 1992-4 for Drop in anchor JSR+**

Essential characteristics of resistance to loads of design method B		Performances						
		M6	M8	M10	M12	M12D	M16	M20
<b>Any load direction</b>								
$F_{Rk}^0$	Characteristic resistance in prestressed hollow core concrete slabs C30/37 to C50/60: [kN]	--	5,5	6,0	6,5	--	--	--
$\gamma_{ins}$	Installation safety factor: [-]	--	1.2	1.4	1.4	--	--	--
$S_{cr}$	Critical spacing: [mm]	--	200	200	200	--	--	--
$C_{cr}$	Critical edge distance: [mm]	--	150	150	150	--	--	--
<b>Shear loads: steel failure with lever arm</b>								
$M_{Rk,s}^0$	Characteristic bending moment, steel class 4.6 [Nm]	--	15.0	29.9	52.4	--	--	--
$\gamma_{Ms}^{1)}$	Partial safety factor: [-]	--	1.67			--	--	--
$M_{Rk,s}^0$	Characteristic bending moment, steel class 4.8 [Nm]	--	15.0	29.9	52.4	--	--	--
$\gamma_{Ms}^{1)}$	Partial safety factor: [-]	--	1.25			--	--	--
$M_{Rk,s}^0$	Characteristic bending moment, steel class 5.6 [Nm]	--	18.8	37.4	65.5	--	--	--
$\gamma_{Ms}^{1)}$	Partial safety factor: [-]	--	1.67			--	--	--
$M_{Rk,s}^0$	Characteristic bending moment, steel class 5.8 [Nm]	--	18.8	37.4	65.5	--	--	--
$\gamma_{Ms}^{1)}$	Partial safety factor: [-]	--	1.25			--	--	--
$M_{Rk,s}^0$	Characteristic bending moment, steel class 6.8 [Nm]	--	22.5	44.9	78.7	--	--	--
$\gamma_{Ms}^{1)}$	Partial safety factor: [-]	--	1.25			--	--	--
$M_{Rk,s}^0$	Characteristic bending moment, steel class 8.8 [Nm]	--	30.0	59.9	104.9	--	--	--
$\gamma_{Ms}^{1)}$	Partial safety factor: [-]	--	1.25			--	--	--

1) In absence of other national regulations

**Drop in anchor JSR+**

**Performances**

Essential characteristics in precast prestressed hollow core concrete slabs

**Annex C6**

English translation prepared by IETcc

**Table C6: Essential characteristics under fire exposure in concrete C20/25 to C50/50 in any load direction according to EN 1992-4 for Drop in anchor J+ / JS+**

Essential characteristics under fire exposure in concrete C20/25 to C50/60 in any load direction		Performances						
		M6	M8	M10	M12	M12D	M16	M20
R30	Characteristic resistance: $F_{Rk,fi30}^{0\ 1)}$ [kN]	0.2	0.4	0.9	1.7	1.7	3.1	4.9
R60	Characteristic resistance: $F_{Rk,fi60}^{0\ 1)}$ [kN]	0.2	0.3	0.8	1.3	1.3	2.4	3.7
R90	Characteristic resistance: $F_{Rk,fi90}^{0\ 1)}$ [kN]	0.1	0.3	0.6	1.1	1.1	2.0	3.2
R120	Characteristic resistance: $F_{Rk,fi120}^{0\ 1)}$ [kN]	0.1	0.2	0.5	0.8	0.8	1.6	2.5
R30 to R120	Spacing $S_{cr,fi}$ [mm]	4 x $h_{ef}$						
R120	Edge distance $C_{cr,fi}$ [mm]	2 x $h_{ef}$						

<sup>1)</sup> in absence of other national regulations the partial safety factor for resistance under fire exposure  $\gamma_{M,fi} = 1.0$  is recommended  
If fire attack is from more than one side, the design method may be taken if edge distance of the anchor is  $c \geq 300$  mm

**Table C7: Essential characteristics under fire exposure in concrete C20/25 to C50/50 in any load direction according to EN 1992-4 for Drop in anchor JSR+**

Essential characteristics under fire exposure in concrete C20/25 to C50/60 in any load direction		Performances					
		M6	M8	M10	M12	M16	M20
R30	Characteristic resistance: $F_{Rk,fi30}^{0\ 1)}$ [kN]	--	0.54	0.54	0.54	--	--
R60	Characteristic resistance: $F_{Rk,fi60}^{0\ 1)}$ [kN]	--	0.54	0.54	0.54	--	--
R90	Characteristic resistance: $F_{Rk,fi90}^{0\ 1)}$ [kN]	--	0.44	0.54	0.54	--	--
R120	Characteristic resistance: $F_{Rk,fi120}^{0\ 1)}$ [kN]	--	0.37	0.43	0.43	--	--
R30 to R120	Spacing $S_{cr,fi}$ [mm]	--	4 x $h_{ef}$			--	--
R120	Edge distance $C_{cr,fi}$ [mm]	--	2 x $h_{ef}$			--	--

<sup>1)</sup> in absence of other national regulations the partial safety factor for resistance under fire exposure  $\gamma_{M,fi} = 1.0$  is recommended  
If fire attack is from more than one side, the design method may be taken if edge distance of the anchor is  $c \geq 300$  mm

**Table C8: Essential characteristics under fire exposure in concrete C20/25 to C50/50 in any load direction according to EN 1992-4 for Drop in anchor JE+ / JSE+**

Essential characteristics under fire exposure in concrete C20/25 to C50/60 in any load direction		Performances					
		M6	M8	M10	M12	M16	M20
R30	Characteristic resistance: $F_{Rk,fi30}^{0\ 1)}$ [kN]	0.20	0.73	0.87	1.63	3.19	4.12
R60	Characteristic resistance: $F_{Rk,fi60}^{0\ 1)}$ [kN]	0.18	0.59	0.87	1.63	3.19	4.12
R90	Characteristic resistance: $F_{Rk,fi90}^{0\ 1)}$ [kN]	0.14	0.44	0.87	1.63	3.14	4.12
R120	Characteristic resistance: $F_{Rk,fi120}^{0\ 1)}$ [kN]	0.10	0.37	0.69	1.30	2.51	3.30
R30 to R120	Spacing $S_{cr,fi}$ [mm]	4 x $h_{ef}$					
R120	Edge distance $C_{cr,fi}$ [mm]	2 x $h_{ef}$					

<sup>1)</sup> in absence of other national regulations the partial safety factor for resistance under fire exposure  $\gamma_{M,fi} = 1.0$  is recommended  
If fire attack is from more than one side, the design method may be taken if edge distance of the anchor is  $c \geq 300$  mm

**Drop in anchor J+ / JS+ / JSR+ / JE+ / JSE+**

**Performances**

Essential characteristics under fire exposure

**Annex C7**